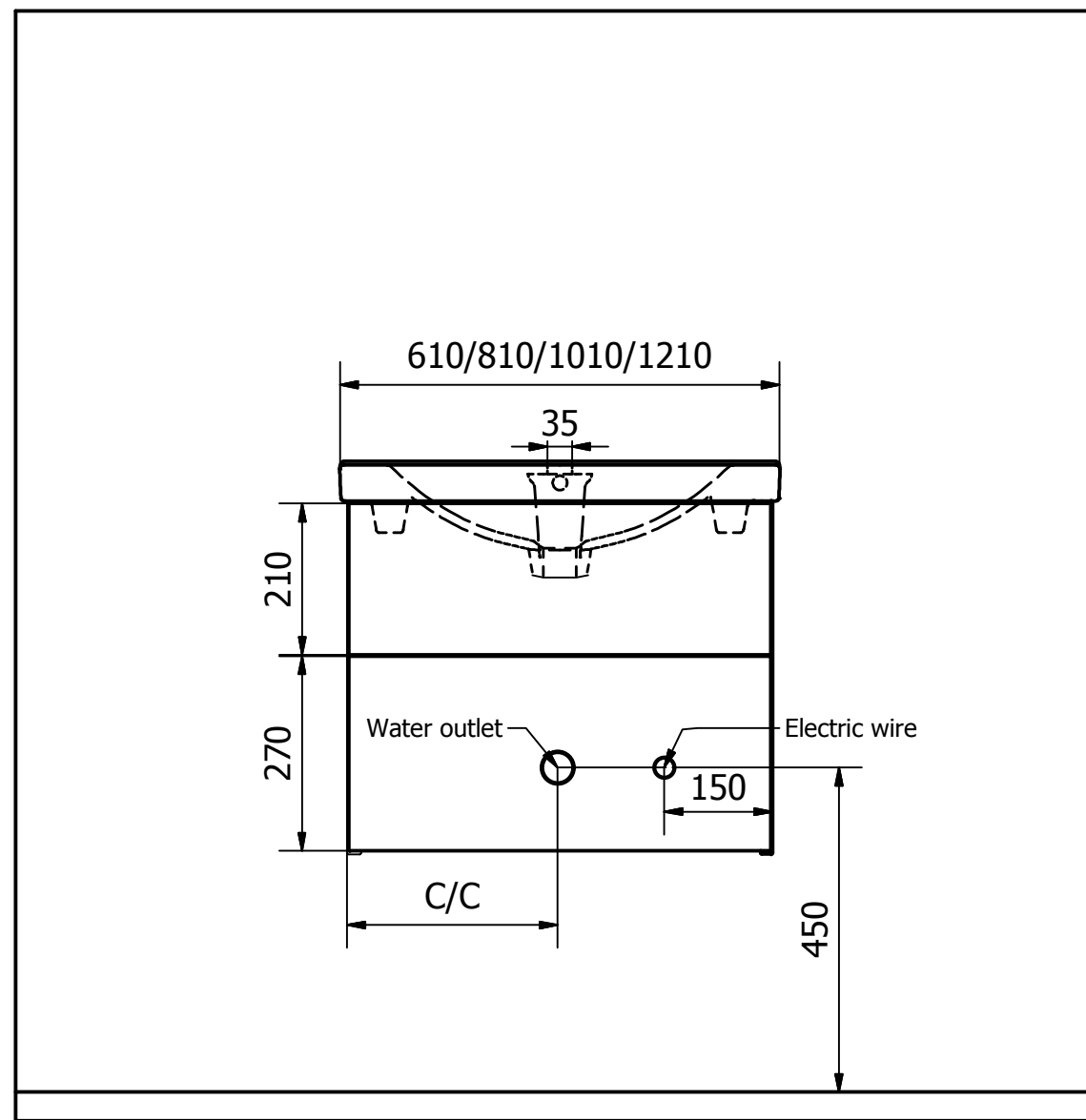
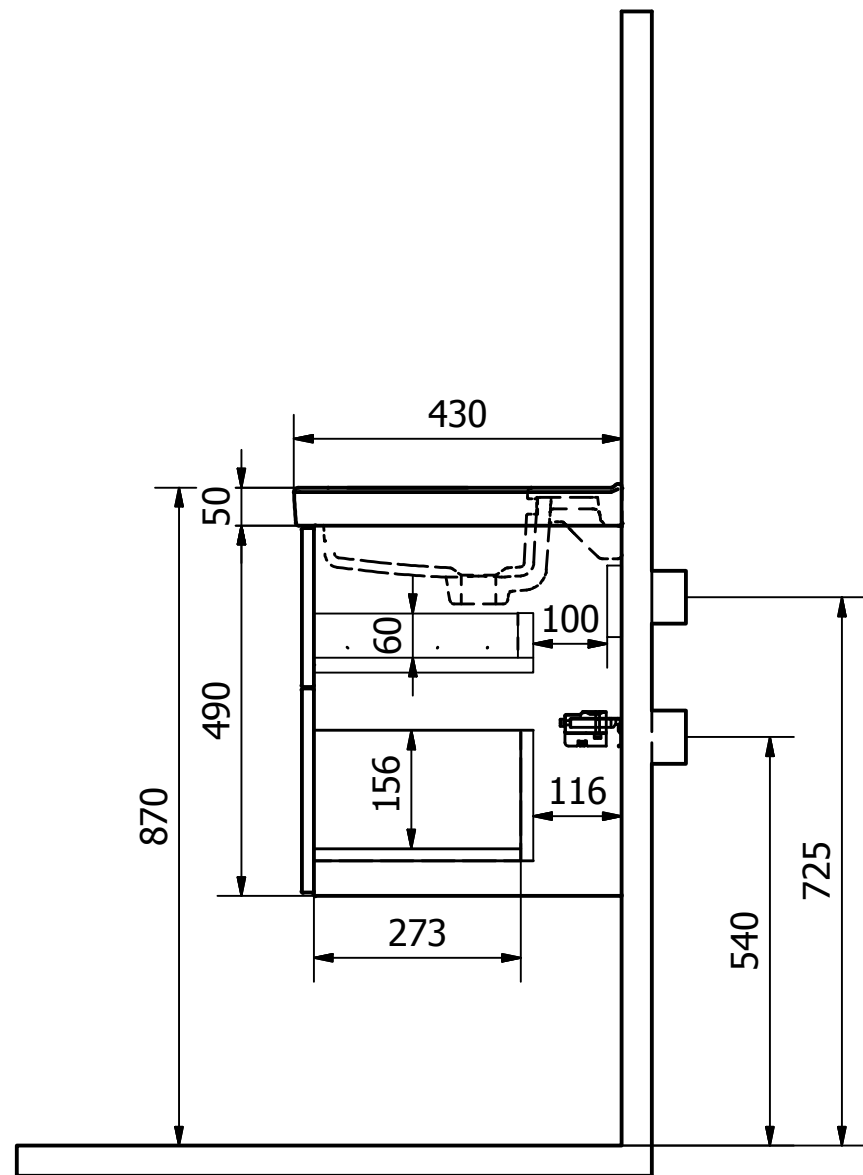


This document must not be copied without our written permission and the contents thereof must not be imparted to a third party nor be used for any unauthorized purpose. Contravention will be prosecuted.



Material				A-surface		B-surface	
According to agreed specifications				-----		.....	
Designed by	Checked by	Approved by	Appr. Date	General tolerance	Weight	Projection	Scale
KON				ISO 2768 c	N/A		10 : 1
<b>ICONIC NORDIC ROOMS</b> <b>INR</b> Installationsmått_Viskan_Porslin_60_120				Title/Name		Sheet size	
				Drawing no/Article no		A3	
				Rev.	Sheet		
				1	2 / 2		